



EUROSOUND[®]
AUDIO TECHNOLOGY



Feel the
Sound. Live
the **Music**

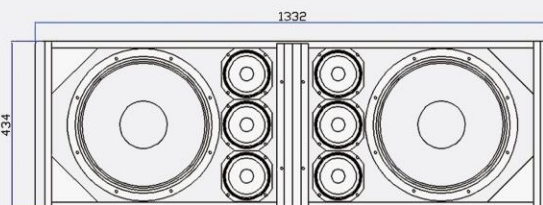
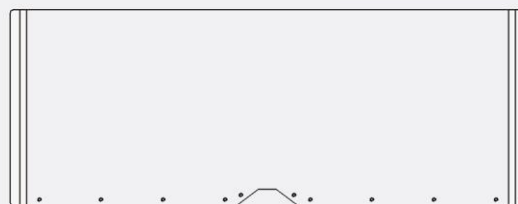
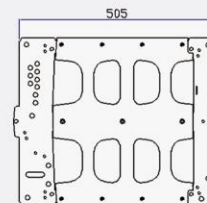


Product Description

The RVX 315 PRO line array system features an innovative 11-driver design, equipped with 2×15" woofers, 6×5" midrange drivers, and 3×3" tweeters, providing full-frequency coverage from 50Hz to 20kHz for exceptional sound quality. Its custom drivers enhance clarity and detail in vocals and instruments. The flexible 2-way crossover mode meets a variety of performance needs, while the powerful low-frequency response suits diverse music styles. The adjustable array design optimizes sound field consistency and supports quick connectivity and deployment with mainstream digital processors. The RVX 315 PRO is an ideal choice for medium to large sound reinforcement, highly favored by professional audio engineers and rental companies.

Application Scenarios

Auditoriums Bars Medium to large sized indoor and outdoor performances
 Concert at stadium music festival



RVX315 PRO

Dual 15-inch Three-way Full-range Line Array Speaker

Frequency Range	50 Hz-20kHz
Sensitivity [1m/1w]	130dB
Input Impedance	8Ω
Rated Power	LMF:770W/3080W HF:900W/3600W
Max SPL	LF: 130dB MHF: 141dB
Dimensions	1332x434x504mm
Net Weight	95kg

Product Description

As a dual 12-inch passive line array speaker, RVX212 is equipped with two 12-inch bass drivers, a 3-inch annular diaphragm compression Hf drive, as well as a self-developed high frequency horn. It provides unmatched performance, efficiency, and a consistent 120-degree of horizontal coverage. The excellent phase curve and unique frequency division understanding enhance the sonic performance of this speaker. The simple and elegant enclosure design is favored by many customers.

Application Scenarios

Auditoriums Bars Medium to large sized indoor and outdoor performances



RVX212 Dual 12-inch two-way line array speaker

Frequency Range 45Hz - 20KHz

Sensitivity[1m/1w] 99 dB

Input Impedance 8Ω

Rated Power LF:800W / HF:180W

Max SPL 142 dB

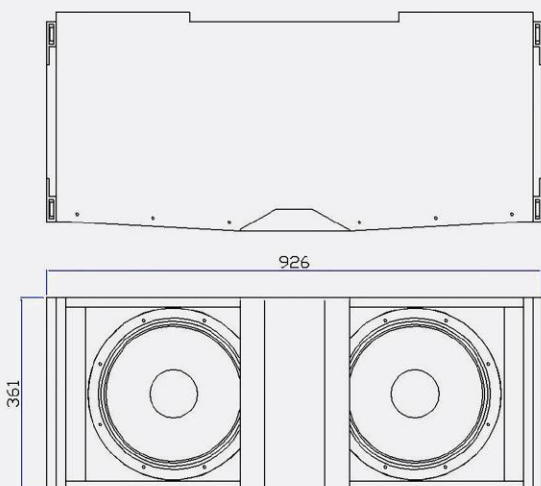
Coverage Angle H110°xV10°

Connectors 2xS peakon NL4

Suspension Point Specialized suspension frame

Dimensions 926 x 409 x 361 mm

Net Weight 38.5 kg



Product Description

As a dual 10-inch passive line array speaker, RVX210 is equipped with two 10-inch bass drivers, a 3-inch annular diaphragm compression HF drive, as well as a self-developed high frequency horn. It provides unmatched performance, efficiency, and a consistent 120-degrees of horizontal coverage. The excellent phase curve and unique frequency division understanding enhance the sonic performance of this speaker. The simple and elegant enclosure design is favored by many customers.

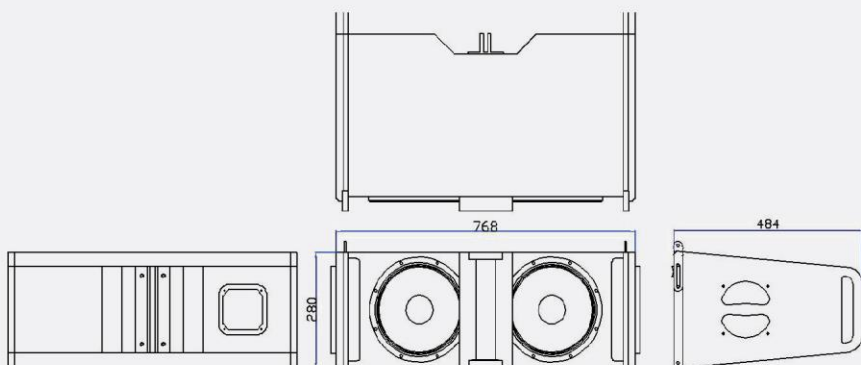
Application Scenarios

Auditoriums Bars Medium to large sized indoor and outdoor performances



RVX210 Dual 10-inch two-way line array speaker

Frequency Range	60Hz-19KHz
Sensitivity[1m/1w]	99 dB
Input Impedance	8Ω
Rated Power	LF:500W/HF:100W
Max SPL	LF:133dB/HF:138dB
Coverage Angle	H 110° x V 10°
Connectors	2×Speakon NL4
Dimensions	768×484×280mm
Net Weight	30kg



Product Description

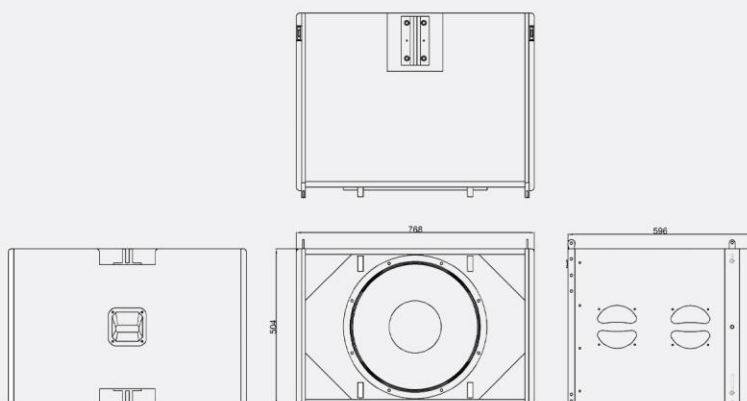
As a subwoofer line array speaker, RVX118 is equipped with a 18-inch 100mm coil bass drivers. The direct-injection type cabinet is constructed of Baltic birch marine plywood. It is the ideal flyable bass complement for the RVX210 array system. Stacked with the RVX 210 on top to improve the system low frequency performance.

Application Scenarios

Auditoriums Bars Medium to large sized indoor and outdoor performances



RVX118 Single 18-inch line array subwoofer



Frequency Range	35Hz-200Hz
Sensitivity	101 dB
Input Impedance	8Ω
Rated Power	600W
Max SPL	132dB
Coverage Angle	NO
Connectors	2×Speakon NL4
Dimensions	768×596×504mm
Net Weight	55kg

Product Description

As a dual 8-inch passive line array speaker, RVX 208 JM is equipped with two 8-inch bass drivers, a 2-inch annular diaphragm compression HF drive, as well as self-developed high frequency horn provides unmatched performance, efficiency, and a consistent 120-degree horizontal coverage. The excellent phase curve and unique frequency division enhance the sonic performance of this speaker. The simple and elegant enclosure design is favored by many customers.

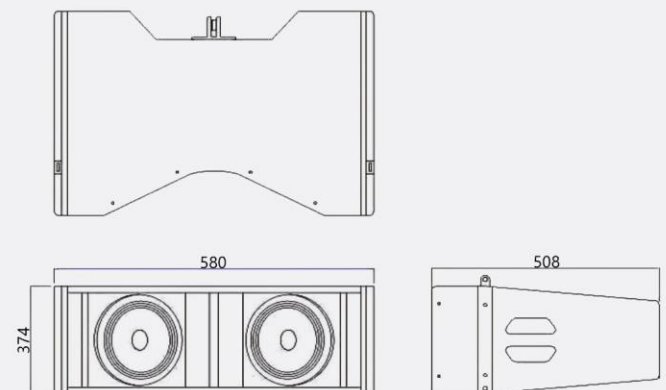
Application Scenarios

Auditoriums Bars Medium to large sized indoor and outdoor performances



RVX 208 JM Dual 8-inch two-way linear array speaker

Frequency Range	75Hz-18KHz
Sensitivity	101dB
Input Impedance	8Ω
Rated Power	550W
Max SPL	134dB
Coverage Angle	H90°xV40
Connectors	2xSpeakon NL4
Dimensions	580x508x374mm
Net Weight	23kg

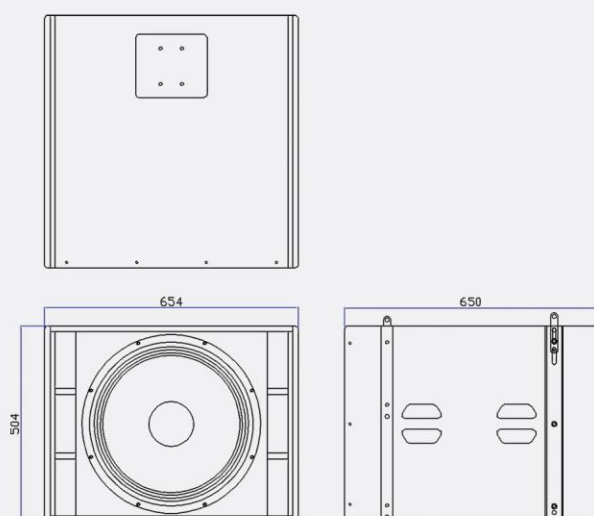


Product Description

As a subwoofer line array speaker, RVX 118 JM is equipped with a 18-inch 100mm coil bass drivers. The direct-injection type cabinet is constructed of Baltic birch marine plywood. It is the ideal flyable bass complement for the RVX 208 JM array system. Stacked with the RVX 208 JM on top to improve the system low frequency performance.

Application Scenarios

Auditoriums Bars Medium to large sized indoor and outdoor performances



RVX 118 JM Single 18-inch line array subwoofer

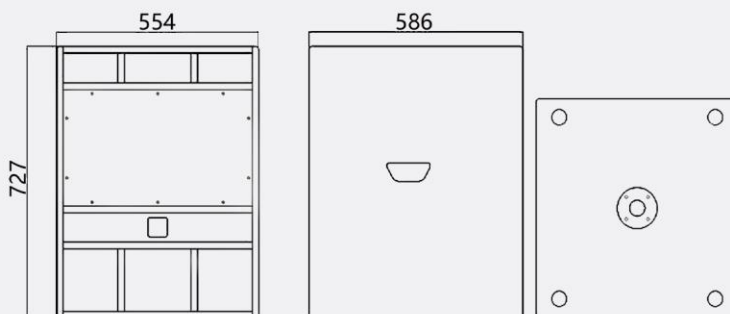
Frequency Range	35Hz-200Hz
Sensitivity	101dB
Input Impedance	8 Ω
Rated Power	600W
Max SPL	132dB
Coverage Angle	NO
Connectors	2xSpeakon NL4
Dimensions	654 × 504 × 650 mm
Net Weight	45kg

Product Description

The RVX series subwoofers are the ideal low-frequency extension to complement EUROSOUND installed systems. The speaker is equipped with 18-inch 125mm coil bass unit, The band-pass configuration offers a significant acoustic impact resulting in a fast and controlled reproduction of the bass frequency range. The RVX series are extremely well-designed, high output subwoofers able to deliver tight and fast controlled bass response.

Application Scenarios

Bars Dj clubs MultifunctionalHalls Lecture Halls Hotel lobbies Indoor and outdoor performances



RVX 118 SUB

Single 18-inch Professional Subwoofer

Frequency Range	30Hz-250HZ
Sensitivity	99dB
Input Impedance	8Ω
Rated Power	1000W
Max SPL	133dB
Coverage Angle	NO
Connectors	2 xSpeakon NL4
Dimensions	554x586x727mm
Net Weight	60kg

Product Description

The RVX218PRO subwoofers are the ideal low-frequency extension to complement EUROSOUND installed systems. The speaker is equipped with 18-inch 125mm coil bass unit. The band-pass configuration offers a significant acoustic impact resulting in a fast and controlled reproduction of the bass frequency range. The RVX218PRO are extremely well-designed, high output subwoofers able to deliver tight and fast controlled bass response.

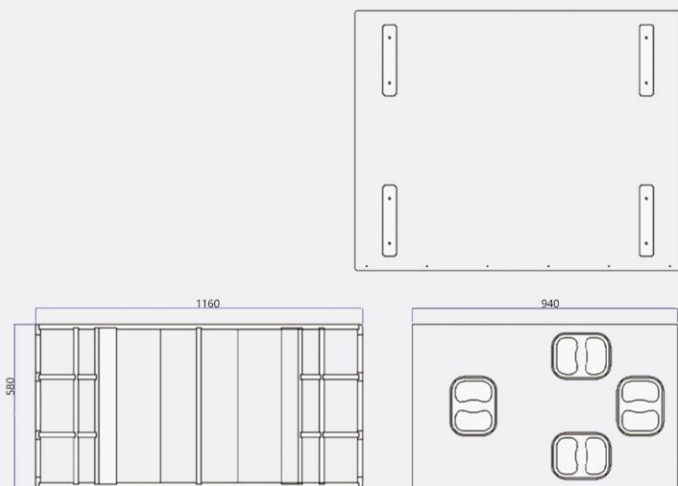
Application Scenarios

Bars DJ clubs Multifunctional Halls Lecture Halls
 Hotel lobbies Indoor and outdoor performances



RVX218PRO

Dual 18-inch Professional Subwoofer



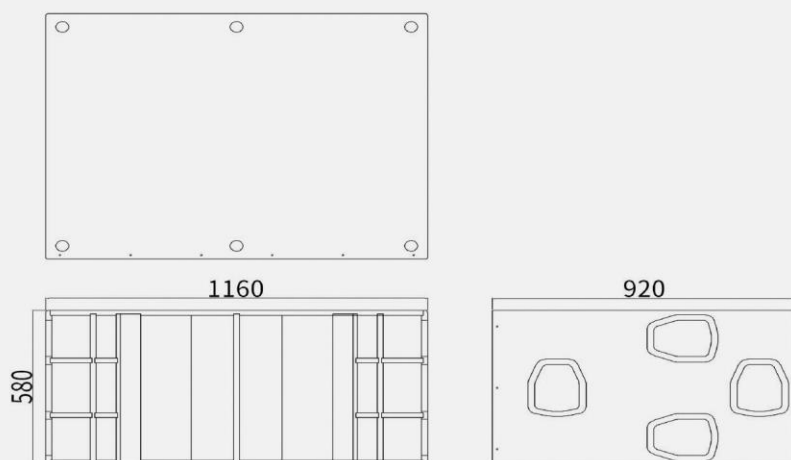
Frequency Range	30Hz-250HZ
Sensitivity	99dB
Input Impedance	4Ω
Rated Power	2000W
Max SPL	138dB
Coverage Angle	NO
Connectors	2 xSpeakon NL4
Dimensions	1160x580x940
Net Weight	/

Product Description

The RVX218 series subwoofer are the ideal low-frequency extension to complement EUROSOUND installed systems. The speaker is equipped with 18-inch 100mm coil bass unit, The band-pass configuration offers a significant acoustic impact resulting in a fast and controlled reproduction of the bass frequency range. The RVX218 series are extremely well-designed, high output subwoofers able to deliver tight and fast controlled bass response.

Application Scenarios

Bars DJ clubs Multifunctional Halls Lecture Halls Hotel lobbies Indoor and outdoor performances



RVX218 Dual 18-Inch Professional Subwoofer

Frequency Range	30Hz-250Hz
Sensitivity	102dB
Input Impedance	4Ω
Rated Power	1200W
Max SPL	135dB
Coverage Angle	NO
Connectors	2×Speakon NL4
Dimensions	1160×920×580mm
Net Weight	92kg

Product Description

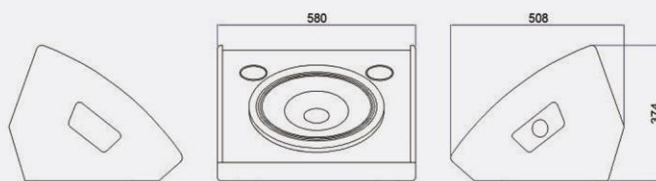
The RVX series is an passive stage monitor designed for sound providers, musicians, bands, and DJ. Thanks to new technology and excellent cabinet design, this speaker can provide good sound quality, ensuring a clear presentation of both musical instruments and vocals, allowing performers to fully express themselves.

Application Scenarios

Stage Performances Fixed installation applications

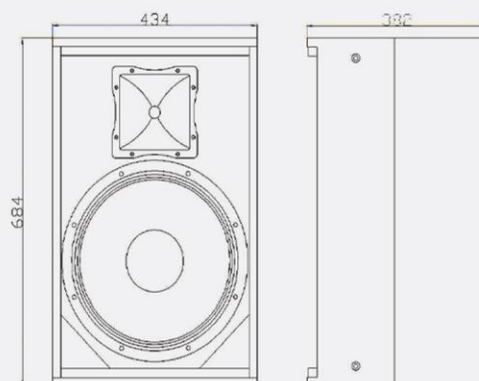
RVX15M-CX Single 15-inch coaxial stage monitor

Frequency Range	40Hz-19kHz
Sensitivity	97dB
Input Impedance	8Ω
Rated Power	450W
Max SPL	129dB
Coverage Angle	H90°xV40
Connectors	2xSpeakon NL4
Dimensions	580x508x374mm
Net Weight	23kg



RVX15M Single 15-inch passive stage monitor speaker

Frequency Range	45Hz-19kHz
Sensitivity	98dB
Input Impedance	8Ω
Rated Power	550W
Max SPL	128dB
Coverage Angle	H80°xV50°
Connectors	2xSpeakon NI4
Dimensions	684x434x382mm
Net Weight	24kg



Application Scenarios

Auditoriums Bars Mobile DJ

Product Description

This portable active line array speaker is one of the best-selling models. The excellent speaker design makes it very simple to install and transport, in the meantime, active DSP simplifies the complexity and difficulty of the whole operation. The lifting of the speakers can control the coverage range, allowing you to use it flexibly and operate it freely!

Structure Chart



Specifications

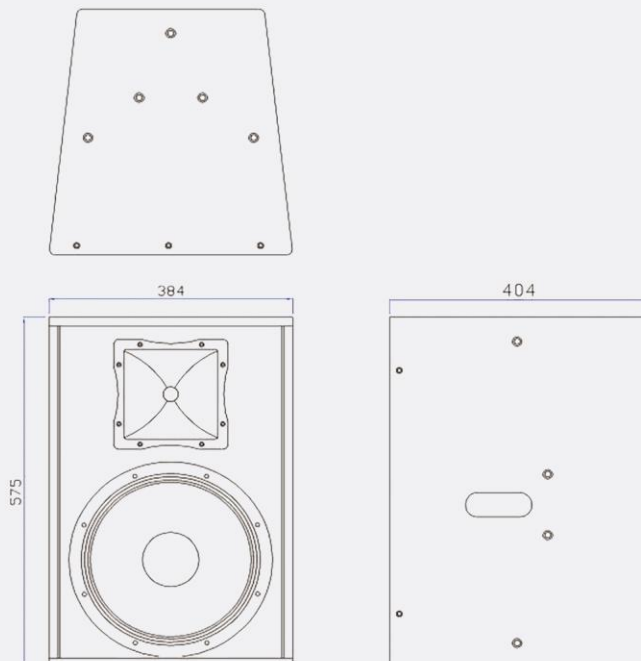
Model	RVX10	RVX18SET
System Type	Single 10-inch two-way line array speaker the top part	Single 18 inch active line array subwoofer the base part
Frequency Range	70Hz-16KHz	50Hz-200Hz
Sensitivity	99dB	100dB
Input Impedance	8 Ω	8 Ω
Rated Power	350W	600W
Max SPL	130dB	134dB
Coverage Angle	NO	CLASS D with DSP
Input Interface	NO	8OHMS/500W+500W+1200W 4OHMS/750W+750W+2300W
Dimensional	NO	90V-260V AC(50/60Hz)
Coverage Angle	H100° x V 10°	NO
Connectors	2×Speakon NI4	NO
Dimensions	570×296×333mm	624×739×806mm
Net Weight	18.5kg	82kg

Product Description

WRX12 are two-way professional speakers that engineered for fixed installation applications. Excellent speaker performance, outstanding sonic performance and superior acoustic performance that allows to deliver a supreme audio experience in any application.

Application Scenarios

Bars DJ clubs Theaters Multifunctional Halls Lecture Halls



WRX12 Single 12-inch full-range professional speaker

Frequency Range	40Hz-19kHz
Sensitivity	98 dB
Input Impedance	8Ω
Rated Power	350W
Max SPL	138dB
Coverage Angle	H90°×V40°
Connectors	2 xSpeakon NL4
Dimensions	384×404×575mm
Net Weight	21.5 kg

Product Description

WRX 15 series are two-way professional speakers that engineered for fixed installation applications. Excellent speaker performance, outstanding sonic performance and superior acoustic performance that allows to deliver a supreme audio experience in any application.

Application Scenarios

Small size performances Multifunctional Halls Lecture Halls



WRX 15 Single 15-inch full-range professional speaker

Frequency Range 50Hz-19KHz

Sensitivity 98 dB

Input Impedance 8Ω

Rated Power 450 W

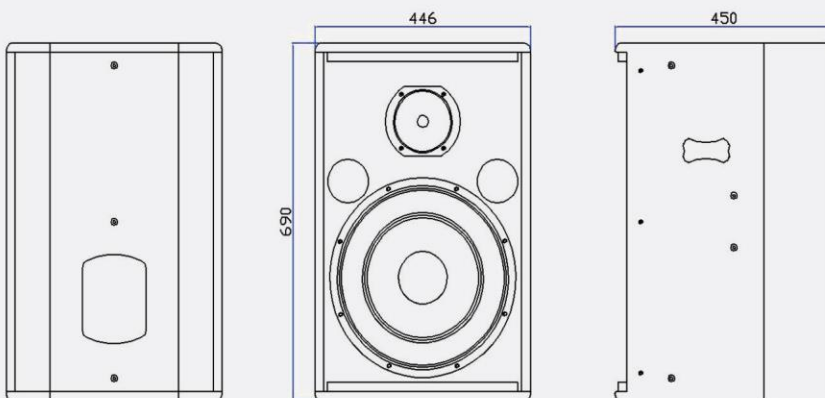
Max SPL 120 dB

Coverage Angle H90° x V 90°

Connectors 2xSpeakon NL4

Dimensions 690x446x450mm

Net Weight 29kg

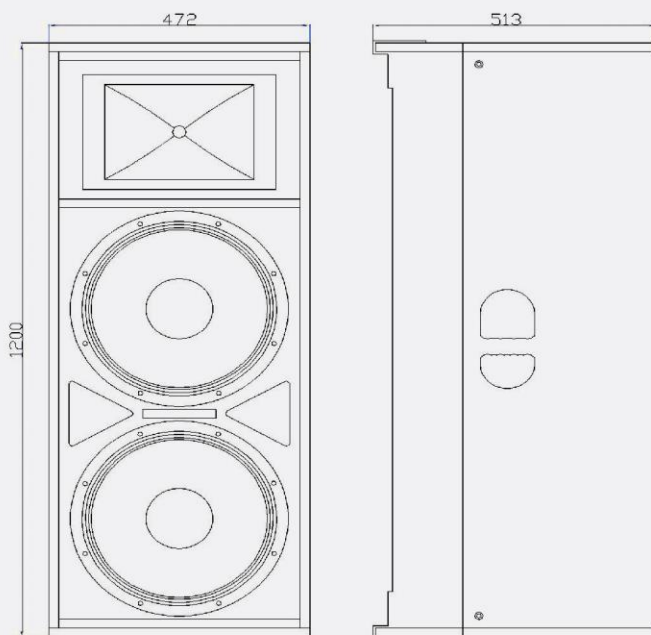


Product Description

WRX215 series are dual 15-inch two-way professional speakers. It is ideal for small size performance applications. Elegant and unique cabinet shape gives you well-designed and fashionable sensory experience. Excellent speaker performance builds a solid foundation for unrivaled sound reinforcement. The speakers can provide stable output even under large dynamic conditions.

Application Scenarios

Audio performances Multifunctional Halls Church DJ



WRX215 Double 15-inch full-range professional speaker

Frequency Range 40Hz-19KHz

Sensitivity 98dB

Input Impedance 4Ω

Rated Power 850W

Max SPL 135dB

Coverage Angle H90°x V 60°

Connectors 2×Speakon NL4

Dimensions 472×513×1200mm

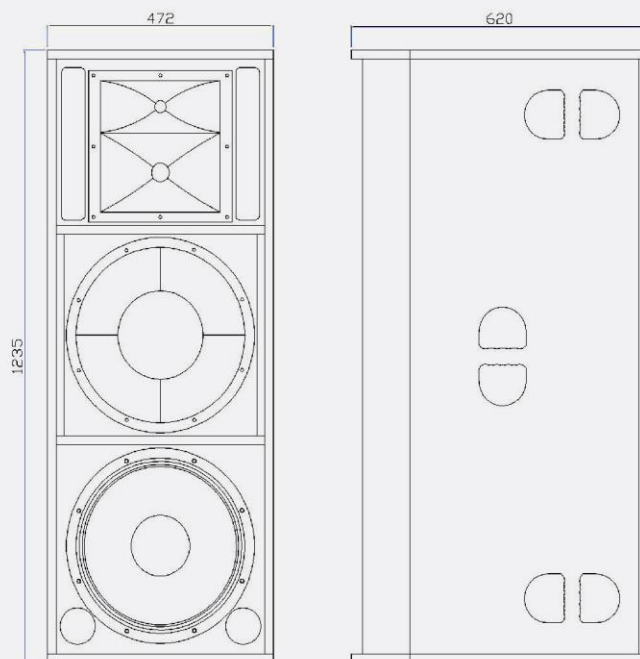
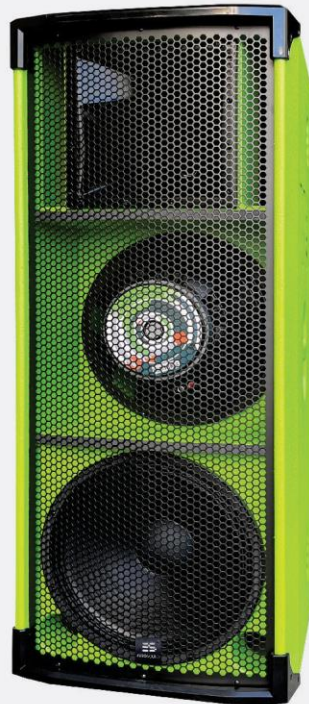
Net Weight 52kg

Product Description

WRX315FL series are dual 15-inch two-way professional speakers. It is ideal for small size performance applications. Elegant and unique cabinet shape gives you well-designed and fashionable sensory experience. Excellent speaker performance builds a solid foundation for unrivaled sound reinforcement. The speakers can provide stable output even under large dynamic conditions.

Application Scenarios

Small size performances Multifunctional Halls DJ Church



WRX315FL Double 15-inch full-range professional speaker

Frequency Range	40Hz-19KHz
Sensitivity	98dB
Input Impedance	4Ω
Rated Power	1300W
Max SPL	135dB
Coverage Angle	H90°x V 60°
Connectors	2xSpeakon NL4
Dimensions	472x513x1200mm
Net Weight	72kg

Product Description

The WRX 218 V2 subwoofers are the ideal low-frequency extension designed to complement EUROSOUND installed systems. The speaker is equipped with an 18-inch 100mm coil bass unit. The band-pass configuration provides significant acoustic impact, allowing for fast and controlled reproduction of the bass frequency range. The WRX 218 V2 is well-designed, with high output capable of delivering tight and fast controlled bass response.

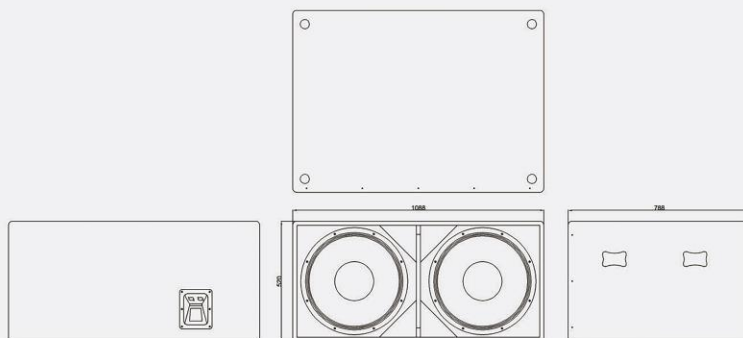
Application Scenarios

Bars DJ clubs Multifunctional Halls Lecture Halls Hotel lobbies Indoor and outdoor performances



WRX 218 V2 Dual 18-Inch Professional Subwoofer

Frequency Range	30Hz-250Hz
Sensitivity	10 2dB
Input Impedance	4Ω
Rated Power	1200W
Max SPL	138dB
Coverage Angle	NO
Connectors	2xSpeakon NL4
Dimensions	1088x788x520mm
Net Weight	72kg



Product Description

The WRX series subwoofer are the ideal low-frequency extension to complement EUROSOUND installed systems. The speaker is equipped with 18-inch 100mm coil bass unit, The band- pass configuration offers a significant acoustic impact resulting in a fast and controlled reproduction of the bass frequency range. The WRX series are extremely well-designed, high output subwoofers able to deliver tight and fast controlled bass response.

Application Scenarios

Bars DJ clubs Multifunctional Halls Lecture Halls Hotel lobbies Indoor and outdoor performances



WRX218 FL

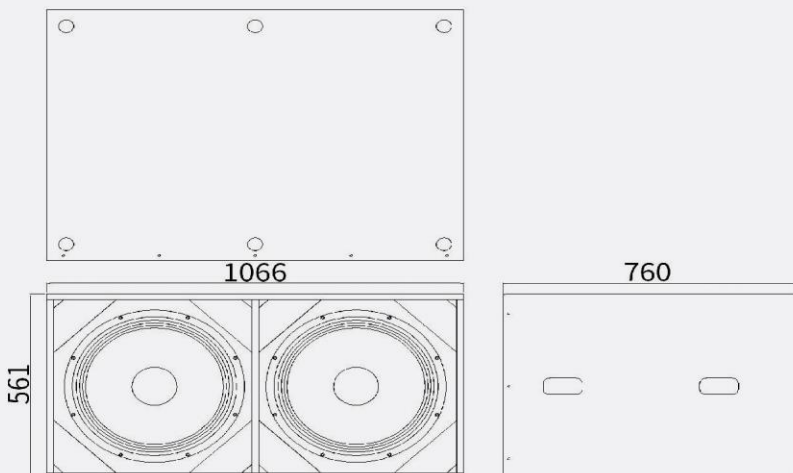


WRX218

WRX218 FL / WRX218

Dual 18-Inch Professional Subwoofer

Frequency Range	30Hz-250Hz
Sensitivity	102dB
Input Impedance	4Ω
Rated Power	1200W
Max SPL	135dB
Coverage Angle	NO
Connectors	2×Speakon NL4
Dimensions	1160×561×760mm
Net Weight	81kg

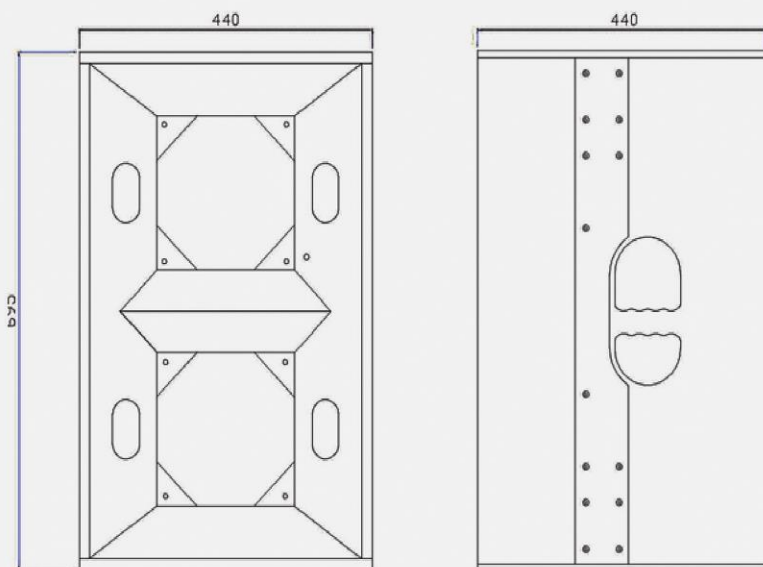


Product Description

WRX24FLY is a horn loaded two-way high power speaker system that incorporates two 12-inch woofers and a titanium dome 3-inch 75mm coil neodymium composite diaphragm HF driver for mid distance and long throw applications.

Application Scenarios

Auditoriums Bars Medium to large sized indoor and outdoor performances



WRX24FLY Double 12-inch full-range professional speaker

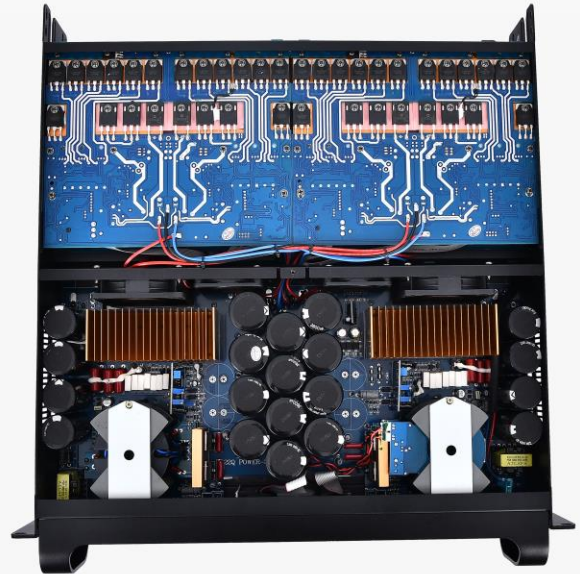
Frequency Range	100Hz-19Hz
Sensitivity	110dB
Input Impedance	8Ω
Rated Power	900W
Max SPL	143dB
Coverage Angle	H60°x V 40°
Connectors	2xSpeakon NL4
Dimensions	440x440x695mm
Net Weight	45kg



TECHNICAL PARAMETERS	HX2000	HX4000	HX5000	HX6000	HX7000
8Ω stereo power	2x800W	2x1250W	2x1450W	2x1600W	2x1800W
4Ω stereo power	2x1200W	2x1725W	2x2025W	2x2400W	2x2700W
2Ω stereo power	2x1450W	2x2300W	2x2700W	2x3600W	
8Ω Bridge Mono power	2100W	3450W	4050W	4800W	5600W
4Ω Bridge Mono power	2700W	4600W	5400W	6400W	7200W
Height	2U	3U	3U	3U	3U
Signal Noise Ration(dB)		>80dB			
THD+N (80HM 1KHZ IN 1/4 OUTPUT)		< 0.05%			
Dampin Factor(80HM 1K)		> 800			
Slew Rate		> 20V/us			
Input sensitivity		0.775v/1.0v/1.4v			
Output Circuit		Class H			
Frequency Response(+/-0.1db)		20Hz-20kHz +/-0.5dB			
Input connectors(per ch.)		3-pin XLR,electronically balanced			
Link connectors(per ch.)		XLR, 3 pin male			
Input Impedance		20kΩBALANCED-10kΩUNBALABCED			
Output Connectors		Chasis Connector			
Amplifier Protection		Protection of short circuit,open circuit,overheat,overload,DC,super sonic frequency etc.			



TECHNICAL PARAMETERS	XT2180	XT4100	XT4180
8Ω Ohms Stereo	2ChX1800W	4ChX1000W	4ChX1800W
4Ω Ohms Stereo	2ChX2800W	4ChX1500W	4ChX3200W
2.00hms Stereo	2Chx 3300W	N/A	N/A
8Ω Ohms Puenteado	1ChX5600W	2ChX2400W	2ChX 6000W
4Ω Ohms Puenteado	1ChX6600W	2ChX3300W	2ChX 7200W
THD(20 Hz-20 KHz,1 Watt)	<0.1%	<0.1%	<0.1%
THD(1kHz-1dB below Clipping)	<0.05	<0.05	<0.05
Radiosenal de ruido	> 106 Db	> 106 Db	> 106 Db
Respuesta de Frecuencia(+/-0.1d)	10 Hz-34 kHz	10 Hz-34 kHz	10 Hz-34 kHz
Factor de amortiguamiento	> 600	> 600	> 600
Balance de impedancia	20KQ/10KQ	20 KΩ/10KQ	20KQ/10KQ
Ganancia	0.775V/1V/32dB	0.775V/1V/32dB	0.775V/1V/32dB
Conector de salida	Speakon	Speakon	Speakon
Conector de entrada	Combo XLR,3 Pin	Combo XLR,3 Pin	Combo XLR,3 Pin
Conector Link XLR Macho	Si	NO	NO
Rango de voltaje	90-260V	90-265 V	115-240V
Medida (WXHxD)	483x332x44mm	483x332x44mm	483x405x44mm
Peso Máximo	7Kg	8Kg	10 Kg
Protección	Corto circuito,térmico,sobre calentamiento		



The FP series will get more power technology with the new FM modulator, which has the characteristics of small size, light weight, high efficiency, high power and high reliability. Both mobile and fixed installation performance are your best choice. Fidelity output: High efficiency amplifier output circuit, small size, high power density, high fidelity tone. Protection system with full function protection. Including power soft start, overload and short circuit, DC, overheat, limiter functions, especially with output relay protection, it is fast, accurate, is unmatched by other types

MODEL	FP20000Q
8Ω Stereo power	4x2200W
4Ω Stereo power	4x3300W
8Ω Bridge Mono power	2x6600W
4Ω Bridge Mono power	2x8000W
Frequency Response(+/-0.1db)	20Hz-20kHz +/-0.5dB
THD+N (Rated power, 4Ω/KHZ) %	0.001
Signal Noise Ration(dB)	110dB
Amplifier gain select able(All channels)-real-panel switches	23,26,29,32,35,38,41,44dB
Damping Factor(8Ω,20Hz-1KHZ)	600
Input connectors(per ch.)	3-pin female XLR, electronically balanced
Link connectors(per ch.)	3-pin male XLR
Input Impedance	20kΩ balanced - 10kΩ unbalanced 20kΩ BALANCED - 10kΩ UNBALANCED
Output Connectors	NEUTRIK
Protection	Protection of short circuit, open circuit, overheat, overload, DC, super sonic frequency etc.
Power Rquirement	200-240V-50-60Hz
Transport Dimension	53.5x53x16cm
Net Weight	15.65KGS
Gross Weight	19.5KGS



DCX-2.4L 2in/4out DSP Digital Processor

DCX-2.6L 2in/6out DSP Digital Processor

DCX-3.6L 3in/6out DSP Digital Processor

DCX-4.8L 4in/8out DSP Digital Processor

DCX-2.4L



DCX-2.6L



DCX-3.6L



DCX-4.8L



- 32 bit DSP SHARC, 96kHz sampling rate, 24 bit AD/DA.
- Input including high-cut, low-cut, 8 PEQ, 31 segment graphic equalizer, noise gate, gain, mute, phase, delay and linkOutput including X-over, 9 PEQ, Gain, mute, compressor/limiter, phase, delay and link.
- All PEQ Gain, bandwidth, frequency continues adjustment. Type can be select by PEAK, L-SHELF, H-SHELF, LOW CUT.
- HIGH CUT.ALLPASS1.ALLPASS2.
- ALL input/output can do matrix, and all the input and output channel name can be changed.
- Althe input and output with independent phase curve adjust function, PEQ style choose ALLPASS 1 is 180° curve adjust
- ALLPASS 2 is 360° curve adjust.
- All high cut, low cut filter type can be select by Buterworth, Link witz-Riley, Bessel, slope at -6dB/Oct to -48 dB/Oct canbe chosen.
- Compressor, limiter, ratio, attack time, release time can be adjustment for outputs. Peak limiter threshold, ratio, attack timerelease time can be adjustment.
- Maximal delay time 680ms for all inputoutput channels.
- Pre settings can copy for every single channel, every channel can do link adjust.
- Every input and output channel PEQ curve adjusting picture can be found when you are in any input and output\ Inside single generator(pink, white noise and 20-20K sine wave, amplitude adjustable).
- Front panel has level indicator for input/output, USB port, RS232&.485 and net ports remote control at rear panel. Easy foruser's operations.
- 20 user presets can be save and recall, maximal 250 units can be link together via ID settings. Password protectionfunction for high level applications.

System specifiator	(Frequencyresponse) (Dynamicrange) (T.H.D) (Crosstalk) (C.M.R.R)	20Hz-20kHz,-0.3dB > 115dBu <0.005% at 1kHz(0dBu) >70dBu, 20Hz-20kHz >75dBu 1KHZ
input section	(Type Balanced) (Maximuminput level) (Impedanc 1MΩ/stereo)	(XLR connect) +18dBu 1MΩ/stereo; 500KΩ/Mono
Output section	(Type) (Maximum outputlevel) (Impedance)	(BalancedXLRconnect) +18dBu <500Ω
Digital processing	(24bit sigma-delta A/D, D/A convert)32 bit (32 bit DSP,96kHz sampling rate)	
Display	20x2 characters LCD display current parameters and all settings	
Power supply	AC 95V-250V 50160Hz	
Dimension(L*W*H)	482X245X44MM	



TECHNICAL PARAMETERS	DCX480PRO	DCX360F / DCX480F
1. DSP Process	Process: ADI SHARC 21489 450MHz System delay: 2.1ms AD/DA: 24-bit 96KHz	1. DSP Process Process: ADI SHARC 21489 450MHz System delay: 1.8ms AD/DA: 24-bit 96KHz
2. Analog Audio Inputs and Outputs	Input: 4 channels balanced. Input interface: XLR(Neutrik®) Input impedance: 20KΩ Max input level: 20dBu/Line Dante in/out 4*4 channels optional Output: 8 channels balanced. Line level Output interface: XLR(Neutrik®) Output impedance: 50Ω	2. Analog Audio Inputs and Outputs Input: 3 or 4 channels balanced. Input interface: XLR(Neutrik®) Input impedance: 20KΩ Max input level: 16dBu/Line Output: 6 or 8 channels balanced. Line level Output interface: XLR(Neutrik®) Output impedance: 150Ω
3. Audio Performance Specifications	Frequency response: 20Hz-20kHz(+/-0.5dB)/Line THD+N: -93dB(@0dBu,1kHz,A-wt)/Line Ground noise: 20Hz-20kHz, A-wt, -93dBu SNR: 113dB(@16dBu,1kHz,A-wt)/Line	3. Audio Performance Specifications Frequency response: 20Hz-20kHz(+/-0.5dB)/Line THD+N: -90dB(@0dBu,1kHz,A-wt)/Line Ground noise: 20Hz-20kHz, A-wt, -93dBu SNR: 108dB(@16dBu,1kHz,A-wt)/Line
4. Connect Ports and Indicators	USB: Type A-B, free driver RS232: Serial port communication TCP/IP interface: RJ-45 Indicator light: Clip, level, edit, mute	4. Connect Ports and Indicators USB: Type A-B, free driver RS232: Serial port communication TCP/IP interface: RJ-45 Indicator light: Clip, level, edit, mute
5. Electrical and Physical	Supply: AC100V ~ 240V 50/60 Hz Products Dimensions: 483mmx215mmx44.5mm Packaged Dimensions: 537mmx343mmx77mm Net Weight: 3.8kg Packaged Weight: 4.2kg Operating temperature: -20°C ~ 80°C	5. Electrical and Physical Supply: AC100V ~ 240V 50/60 Hz Products Dimensions: 483mmx215mmx44.5mm Packaged Dimensions: 537mmx343mmx77mm Net Weight: 3.6kg Packaged Weight: 4.0kg Operating temperature: -20°C ~ 80°C



Feel the
Sound. Live
the **Music**

 **EUROSOUND**[®]
AUDIO TECHNOLOGY

www.eurosound.mx

e-mail. contacto@eurosound.mx

DISTRIBUIDOR DIRECTO EN MÉXICO
PLAZA MUSICAL SINFONIA

Tehuacán, Puebla

3 Oriente 326-A
Col. Centro
Tel.
2383839906
2383831733
2383833625

Orizaba, Veracruz

Poniente 3 número 45
2727253820

Oaxaca, Oaxaca

Trujano 504-B
Col. Centro
Tel.
9515145395
9515168174

WhatsApp: 221 357 3838

FOLLOW US NOW

